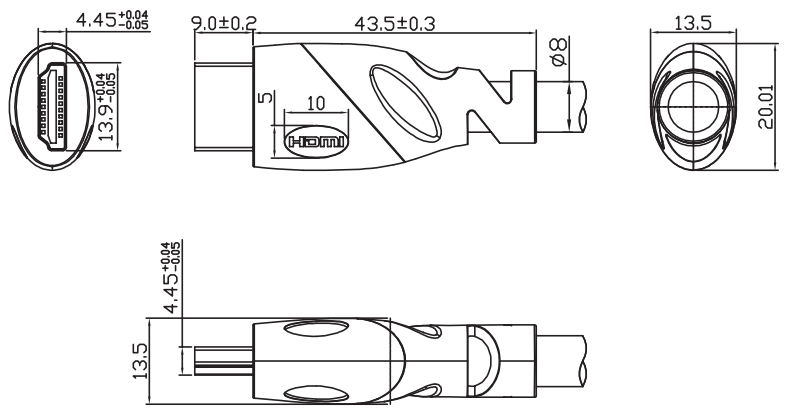
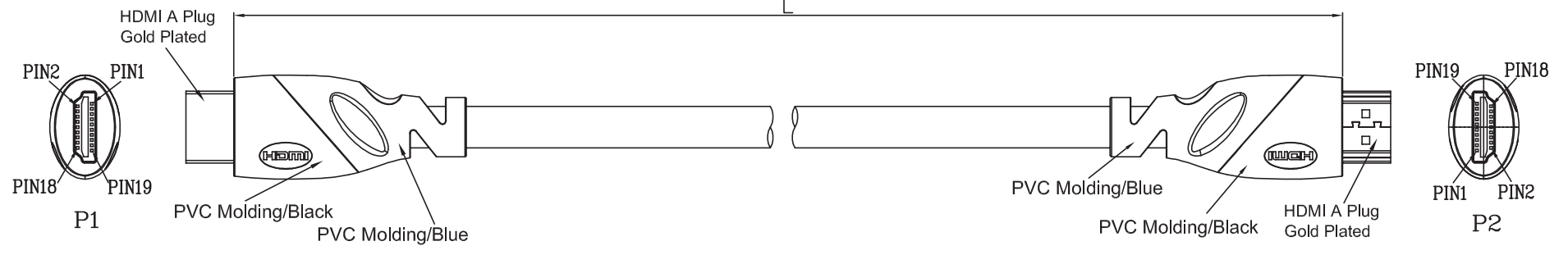


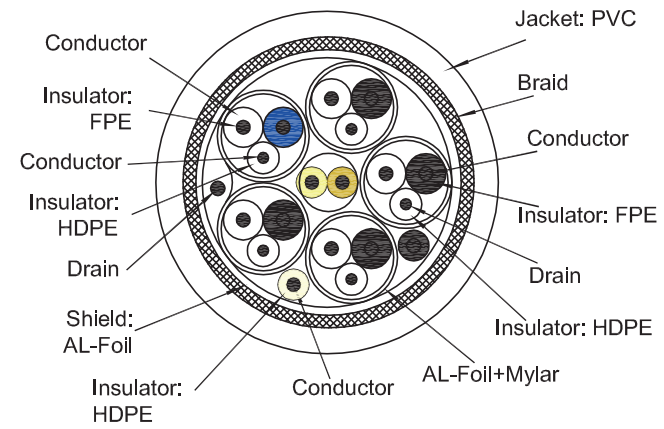
RoHS Compliant

REV	ZONE	LTR	DESCRIPTION	DATE	REVISER	APPD
-----	------	-----	-------------	------	---------	------



PIN Assignment

P1 - A		P2 - A	
1	WHITE	1	} 1Pair
3	RED	3	
5	Drain	5	
4	GREEN	4	} 2Pair
6	WHITE	6	
2	Drain	2	
7	WHITE	7	} 3Pair
9	ORANGE	9	
11	Drain	11	
10	Brown	10	} 4Pair
12	WHITE	12	
8	Drain	8	
13	WHITE	13	
18	RED	18	
15	YELLOW	15	
16	ORANGE	16	
14	WHITE	14	} 5Pair
19	BLUE	19	
17	Drain	17	
Shell	Braid	Shell	



SYS COM DEC
Distribution AG

L	CABLE SPECIFICATION
15M	UL20276 26/28# 1.4V HDMI: (1/0.4BC*1P+1/0.324BC+AL)*5C+1/0.32BC*3c +1/0.4BC*1C+AL+1/0.32BC+128/0.12AL-MG,∅D:8.0mm

INNERMOLD	TOLERANCE UNSPECIFIED	distributed by SYS COM DEC Distribution AG	
OVERMOLD	SCALE NON UNIT mm	NAME	SHEET 1/1
	ANGLE	SCT-HDMI2.0-Serie	
	DRAWN: Abby 2015/06/08	DRAWING NO. 180-180	REV 0.1
	DESIGNER:		
	CHECKED:		
	APPROVED:		